

F360 & FSL1 Residual Current Circuit Breaker

Sepecification



F360-2P



F360-4P



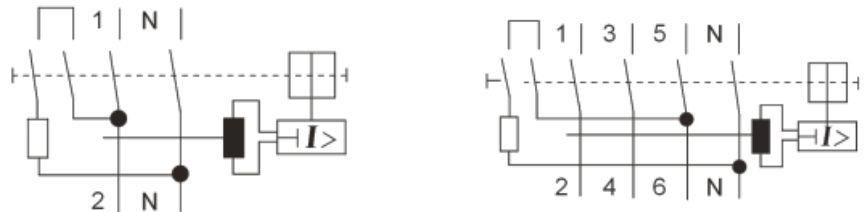
FSL1-2P



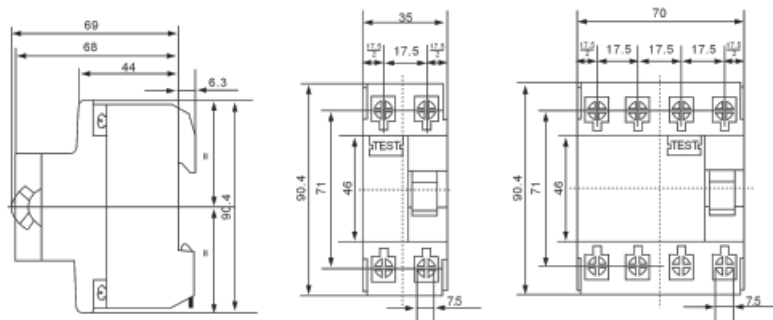
FSL1-4P

Type and specification	Rated current	Rated voltage	Rated operating current	Residual operating current range	Rated conditional short circuit current	Mechanical life
F360 2 Poles	16A 25A 32A 40A 63A 80A 100A 125A	AC 230V	0.03A 0.1A 0.3A	0.5I _Δ n~I _Δ n	3000A to 6000A	10000
F360 4 Poles	16A 25A 32A 40A 63A 80A 100A 125A	AC 400V	0.03A 0.1A 0.3A	0.5I _Δ n~I _Δ n	3000A to 6000A	10000

Operation principle figure



Dimension and mounting



Notice

1. Leakage protection function of RCCB is tested and adjusted by the manufacturer, users can not open the product at random during usage.
2. After using RCCB for a certain time (normally one month), test button should be pressed once in a state of making the circuit to check whether the function of RCCB is normal and reliable (press test button once, the RCCB can cut off at once).
3. RCCB must not be wetted or soaked by rain, snow or water during the course of transportation, storage and usage.
4. RCCB can not protect short circuit in application.